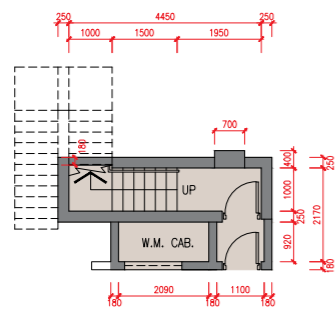
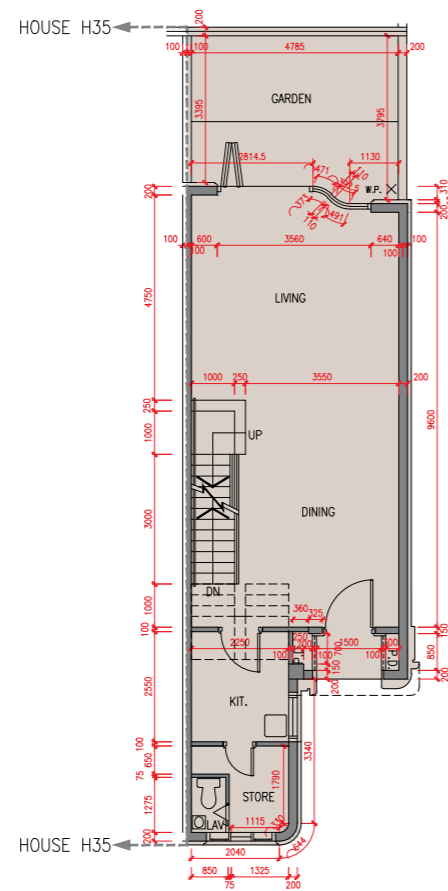


H36號洋房 House H36

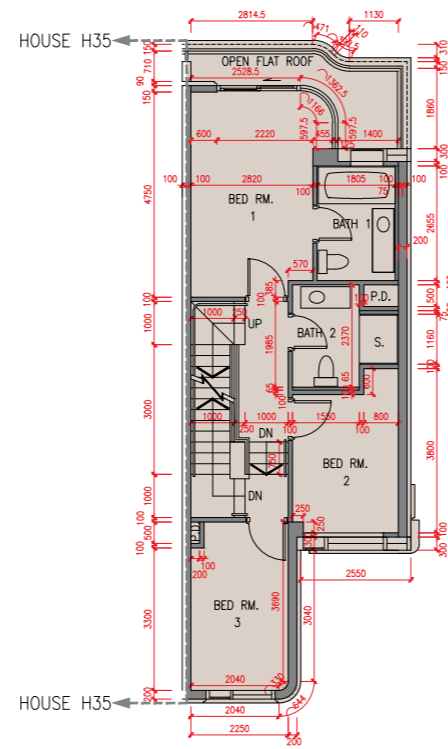
地庫平面圖
B/F Plan



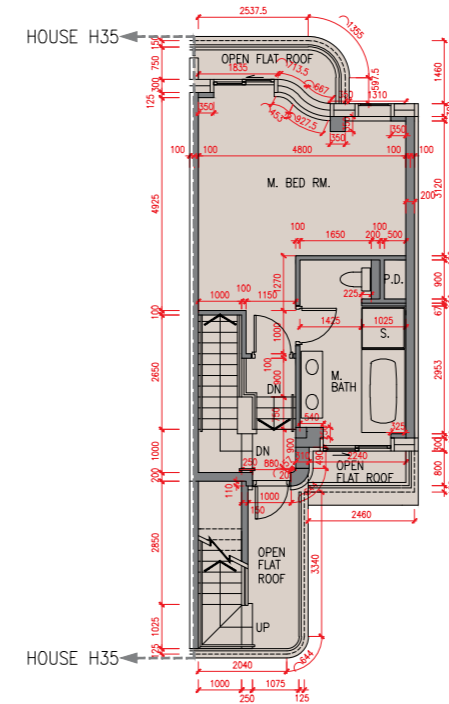
地下平面圖
G/F Plan



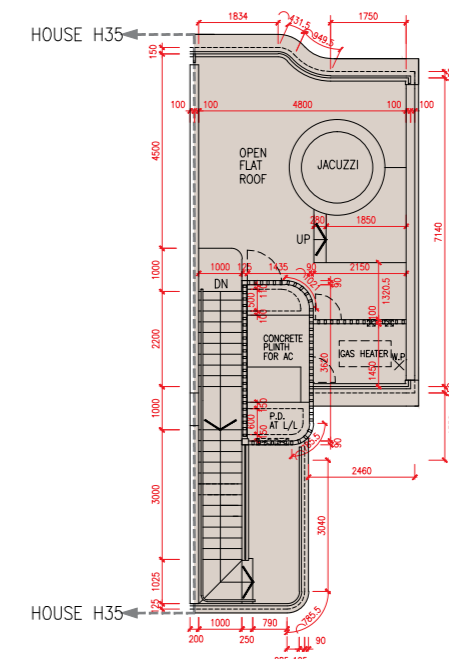
1樓平面圖
1/F Plan



2樓平面圖
2/F Plan



天台平面圖
Roof Plan



樓層 Floor	地庫 B/F	地下 G/F	1樓 1/F	2樓 2/F	天台 Roof
層與層之間的高度 (毫米) Floor-to-floor height (mm)	4600	3900, 4000	3400, 3500	3500	不適用 N/A
樓板厚度 (毫米) Thickness of the floor slabs (mm)	200	150, 200, 300	150, 175	150, 200	不適用 N/A

因住宅物業的較高樓層的結構牆的厚度遞減，較高樓層的內部面積，一般比較低樓層的內部面積稍大。(不適用)
The internal areas of the residential properties on the upper floors will generally be slightly larger than those on the lower floors because of the reducing thickness of the structural walls on the upper floors. (Not applicable)



備註：

- 樓面平面圖所列之尺寸為以毫米標示之建築結構尺寸。
- 每個住宅物業的層與層之間的高度指該樓層之石屎地台面與上一層石屎地台面之高度距離。
- 每個住宅物業的樓板的厚度不包括灰泥。

Notes:

- The dimensions in the floor plans are all structural dimensions in millimetre.
- The floor-to-floor height refers to the height between the top surface of the structural slab of a floor and the top surface of the structural slab of its immediate upper floor of each residential property.
- The thickness of the floor slabs excludes plaster of each residential property.